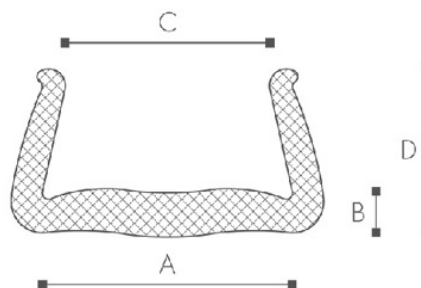


Nomapack U

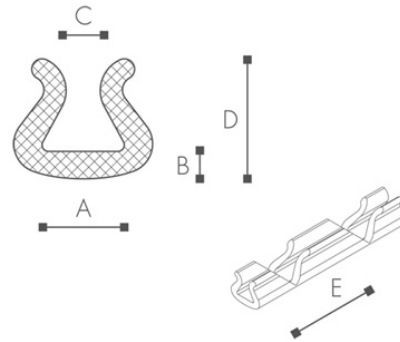
Profile ochronne z pianki polietylenowej

NOMAPACK U Tulip



Type	A mm	B mm	C mm	D mm	Density kg/m ³	Packaging unit	Pcs/ Ctn	m ³ / Ctn	Carton/Roll mm	Item Code	pln/100m
5-15 roll*	16 +2/-2	7 +1/-1	3 +3/-3	29 +2/-2	30 +2/-2	500 m/roll	1	0,70	1200*460	KPPU08051501	
5-15	16 +2/-2	7 +1/-1	3 +3/-3	29 +2/-2	30 +2/-2	560 m/ctn	280	0,50	2050*600*400	KPPU08051506	
15-25 roll**	24 +2/-2	8 +1/-1	10 +3/-3	35 +2/-2	30 +2/-2	220 m/roll	1	0,70	1200*600	KPPU10152501	
15-25	24 +2/-2	8 +1/-1	10 +3/-3	35 +2/-2	30 +2/-2	320 m/ctn	160	0,50	2050*600*400	KPPU10152510	
25-35	35 +2/-2	10 +1/-1	20 +4/-4	41 +2/-2	30 +2/-2	240 m/ctn	120	0,50	2050*600*400	KPPU11253513	
35-45	41 +2/-2	12 +2/-2	25 +5/-5	47 +2/-2	30 +2/-2	180 m/ctn	90	0,50	2050*600*400	KPPU12354506	
45-60	57 +2/-2	14 +2/-2	30 +5/-5	60 +2/-2	30 +2/-2	100 m/ctn	50	0,50	2050*600*400	KPPU14456000	
60-80	71 +2/-2	15 +2/-2	45 +5/-5	66 +2/-2	30 +2/-2	80 m/ctn	40	0,50	2050*600*400	KPPU15608000	
80-100	92 +3/-3	18 +2/-2	60 +10/-10	68 +3/-3	30 +2/-2	72 m/ctn	36	0,50	2050*600*400	KPPU19801001	
100-120	120 +4/-4	21 +2/-2	98 +10/-10	80 +3/-3	30 +2/-2	44 m/ctn	22	0,50	2050*600*400	KPPU21101200	
100-120 stretch	120-160	21 +2/-2	100-140	80 +3/-3	30 +2/-2	44 m/ctn	22	0,50	2050*600*400	KPPU21101201	

NOMAPACK U Multishape

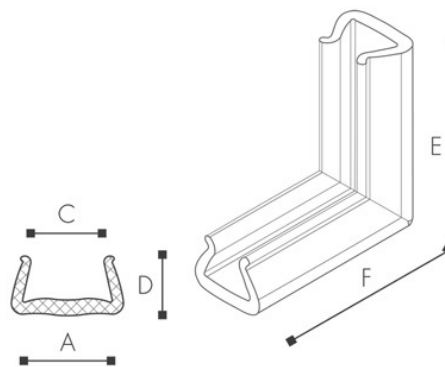


Type	A mm	B mm	C mm	D mm	Density kg/m ³	Packaging unit	m/ Roll	m ³ / Roll	Roll mm	Item Code	pln/100m
5-15 MS*	16 +2/-2	7 +1/-1	3 +3/-3	29 +2/-2	30 +2/-2	480 m/roll	480	0,70	1200*460	KPPU08051504	
15-25 MS	24 +2/-2	8 +1/-1	10 +3/-3	34 +2/-2	30 +2/-2	250 m/roll	250	0,70	1200*460	KPPU10152502	
25-35 MS	35 +2/-2	10 +1/-1	20 +4/-4	38 +2/-2	30 +2/-2	150 m/roll	150	0,70	1200*460	KPPU11253503	
35-45 MS	41 +2/-2	12 +2/-2	25 +5/-5	43 +2/-2	30 +2/-2	140 m/roll	140	0,70	1200*460	KPPU12354502	

*E = 150 ± 10 mm for U 5-15

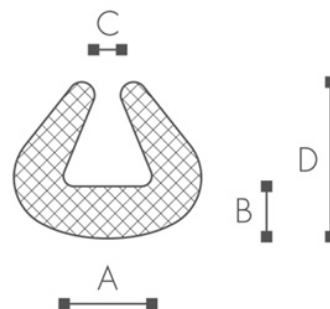
E = 170 ± 10 mm

NOMAPACK® U Tulip Corners



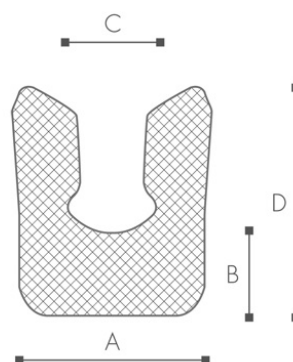
Type	A mm	C mm	E mm	F mm	Density kg/m ³	Packaging unit	Pcs/ Ctn	m ³ / Ctn	Carton mm	Item Code	pln/100pcs
5-15	16 +2/-2	3 +3/-3	100 +10/-10	100 +10/-10	30 +2/-2	900 pcs/ctn	900	0,27	800*600*600	KPCU08051500	
15-25	24 +2/-2	10 +3/-3	100 +10/-10	100 +10/-10	30 +2/-2	600 pcs/ctn	600	0,27	800*600*600	KPCU10152500	
25-35	35 +2/-2	20 +4/-4	100 +10/-10	100 +10/-10	30 +2/-2	450 pcs/ctn	450	0,27	800*600*600	KPCU11253500	
35-45	41 +2/-2	25 +5/-5	100 +10/-10	100 +10/-10	30 +2/-2	300 pcs/ctn	300	0,27	800*600*600	KPCU12354500	
45-60	57 +2/-2	30 +5/-5	100 +10/-10	100 +10/-10	30 +2/-2	500 pcs/ctn	500	0,66	1200*800*700	KPCU14456000	
60-80	71 +2/-2	45 +5/-5	100 +10/-10	100 +10/-10	30 +2/-2	400 pcs/ctn	400	0,66	1200*800*700	KPCU15608000	
80-100	92 +3/-3	60 +10/-10	100 +10/-10	100 +10/-10	30 +2/-2	280 pcs/ctn	280	0,66	1200*800*700	KPCU19801000	
100-120 stretch	120 +4/-4	98 +10/-10	200 +10/-10	200 +10/-10	30 +3/-3	120 pcs/ctn	120	0,66	1200*800*700	KPCU21101201	

NOMAPACK U Classic



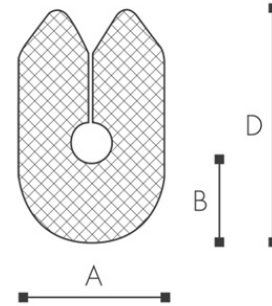
Type	A mm	B mm	C mm	D mm	Density kg/m ³	Packaging unit	Pcs/ Ctn	m ³ / Ctn	Carton mm	Item Code	pln/100m
10-20	17 +2/-2	10,5 +1/-1	5 +3/-3	30 +1/-1	30 +2/-2	420 m/ctn	210	0,50	2050*600*400	KPPU10102017	
20-35	31 +2/-2	12 +1/-1	12 +4/-4	± 45	30 +2/-2	210 m/ctn	105	0,50	2050*600*400	KPPU12203507	
30-45	41 +2/-2	15 +1/-1	20 +5/-5	± 48	30 +2/-2	160 m/ctn	80	0,50	2050*600*400	KPPU15304500	
45-65	60 +2/-2	15 +1/-1	30 +8/-8	± 57	30 +2/-2	92 m/ctn	46	0,50	2050*600*400	KPPU15456500	
60-85	80 +3/-3	15 +1/-1	40 +10/-10	± 58	30 +2/-2	90 m/ctn	45	0,50	2050*600*400	KPPU15608500	

NOMAPACK U 12-18



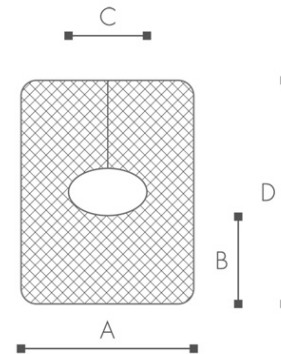
Type	A mm	B mm	C mm	D mm	Density kg/m ³	Packaging unit	Pcs/ Ctn	m ³ / Ctn	Carton mm	Item Code	pln/100m
12-18	45 +2/-2	20 +1/-1	23 +1/-1	56 +2/-2	35 +2/-2	140 m/ctn	70	0,50	2050*600*400	KPPU18121808	

NOMAPACK U 0-3



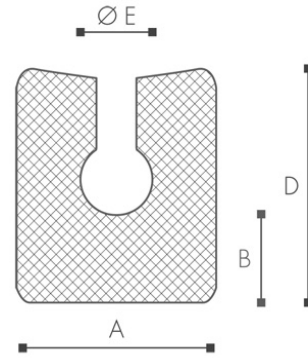
Type	A mm	B mm	C mm	D mm	Density kg/m ³	Packaging unit	Pcs	m ³ / Roll	Roll mm	Item Code	pln/100m
0-3	20 +2/-2	11 +1/-1	0 +3	32 +2/-2	35 +3/-3	590 m/roll	1	0,70	1200*460	KPPU11000300	

NOMAPACK U 0-6



Type	A mm	B mm	C mm	D mm	Density kg/m ³	Packaging unit	Pcs	m ³ / Ctn- Roll	Carton/Roll mm	Item Code	PLN/100m
0-6	28,5 +1/-1	14,5 +1/-1	13 +1/-1	37 +1/-1	25 +2/-2	320 m/ctn	160	0,50	2050*600*400	KPPU15000600	
0-6 roll*	28,5 +1/-1	14,5 +1/-1	13 +1/-1	37 +1/-1	25 +2/-2	320 m/roll	1	0,70	1200*460	KPPU15000601	

NOMAPACK U 6-12

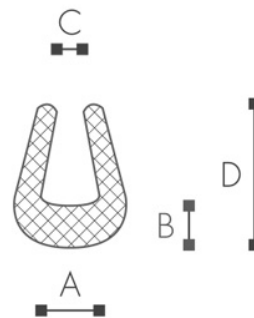


Type	A mm	B mm	D mm	E mm	Density kg/m ³	Packaging unit	Pcs	m ³ / Roll	Roll mm	Item Code	pln/100m
6-12	33 +2/-2	15 +1/-1	40 +2/-2	12 +1/-1	35 +2/-2	240 m/roll	1	0,70	1200*460	KPPU15061200	
6-12 Edge Pad*	33 +2/-2	15 +1/-1	40 +2/-2	12 +1/-1	35 +2/-2	240 m/roll	1	0,70	1200*460	KPPU15061202	
6-12 CBS**	33 +2/-2	15 +1/-1	40 +2/-2	12 +1/-1	35 +2/-2	240 m/roll	1	0,70	1200*460	KPPU15061203	

* Edge Pad = nacięcia V co 160mm

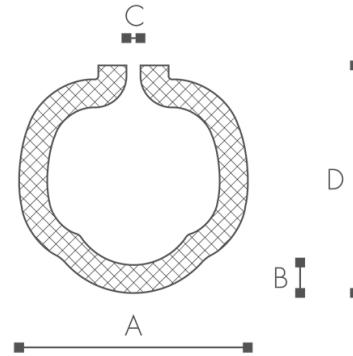
** CBS = wzmocnienie wewnątrz

NOMAPACK 8-12



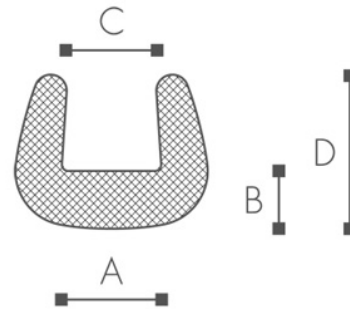
Type	A mm	B mm	C mm	D mm	Density kg/m ³	Packaging unit	Pcs	m ³ / Roll	Roll mm	Item Code	pln/100m
8-12	11,5 +1/-1	7 +1/-1	0 +3	± 30	45 +2/-2	550 m/roll	1	0,70	1200*460	KPPU08081200	

NOMAPACK U FEP



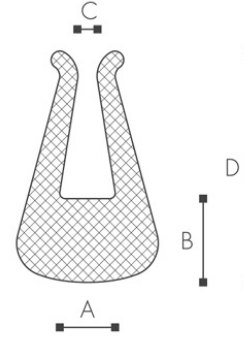
Type	A mm	B mm	C mm	D mm	Density kg/m ³	Packaging unit	Pcs/ Ctn	m ³ / Ctn	Carton mm	Item Code	pln/100m
FEP	65 +5/-5	8 +1/-1	2 +2/-2	65 +5/-5	30 +2/-2	120 m/ctn	60	0,50	2050*600*400	KPPU08FEP001	

NOMAPACK U Higher density



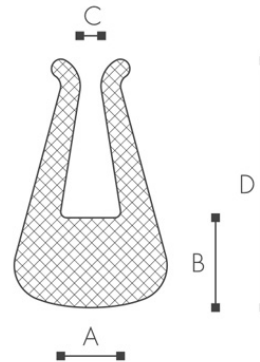
Type	A mm	B mm	D mm	E mm	Density kg/m ³	Packaging unit	Pcs/ Ctn	m ³ / Ctn	Carton mm	Item Code	pln/100m
20-30	31 +3/-3	18 +1/-1	28 +3/-3	48 +2/-2	60 +5/-5	180 m/ctn	90	0,50	2050*600*400	KPPU16203001	
35-50	45 +2/-2	18 +1/-1	24 +3/-3	50 +2/-2	65 +5/-5	140 m/ctn	70	0,50	2050*600*400	KPPU18355000	

NOMAPACK U Tulip long legs



Type	A mm	B mm	C mm	D mm	Density kg/m ³	Packaging unit	Pcs/ Ctn	m ³ / Ctn	Carton mm	Item Code	pln/100m
0-30/70	29 +2/-2	14 +1/-1	0 +0/-0	94 +6/-6	33 +2/-2	100 m/ctn	50	0,50	2050*600*400	KPPU13003002	
30-40/70	38 +2/-2	14 +1/-1	26 +10/-10	84 +5/-5	30 +2/-2	100 m/ctn	50	0,50	2050*600*400	KPPU14304000	
45-70	70 +2/-2	18 +2/-2	30 +10/-10	131 +5/-5	33 +2/-2	44 m/ctn	22	0,50	2050*600*400	KPPU15457000	

NOMAPACK U Extra padding



Type	A mm	B mm	C mm	D mm	Density kg/m ³	Packaging unit	Pcs/ Ctn	m ³ / Ctn	Carton mm	Item Code	pln/100m
15-25/80	20 +1/-1	30 +2/-2	7 +5/-5	83 +3/-3	30 +2/-2	90 m/ctn	45	0,50	2050*600*400	KPPU30152500	
30-38*	32 +2/-2	19 +1,5/-1,5	20 +6/-6	60 +2/-2	30 +2/-2	140 m/ctn	70	0,50	2050*600*400	KPPU19303800	
30-45/55	41 +3/-3	25 +2/-2	22 +5/-5	73 +6/-6	30 +2/-2	80 m/ctn	40	0,50	2050*600*400	KPPU25304500	