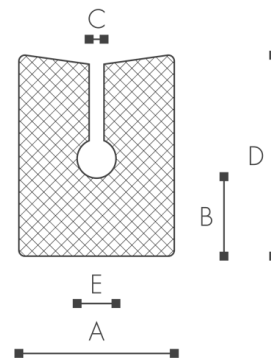


# Nomapack WS

## Profile ochronne z pianki polietylenowej

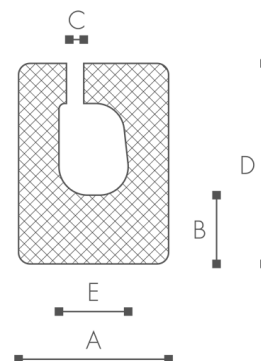
### NOMAPACK WS 33x26



Type	A mm	B mm	C mm	D mm	E mm	Density kg/m <sup>3</sup>	Packaging unit	m <sup>3</sup> / Roll	Roll mm	Item Code	pln/100m
33x26 BC	26 +1/-1	12 +1/-1	3	33 +1/-1	6 +1/0	63 +2/-2	460 m/roll	0,70	1200*460	KPPW33263000	
33x26 CBC*	26 +1/-1	12 +1/-1	3	33,5 +1/-1	6 +1/0	45 +2/-2	460 m/roll	0,70	1200*460	KPPW33263007	
33x26 CYC*	26 +1/-1	12 +1/-1	3	33 +1/-1	6 +1/0	63 +2/-2	460 m/roll	0,70	1200*460	KPPW33260006	

\* CBC / CYC = wzmocnienie wewnątrz  
 B = Blue / Y = Yellow

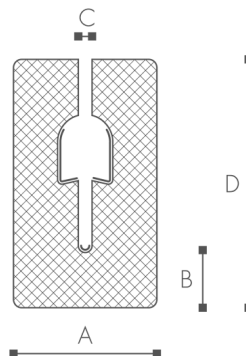
### NOMAPACK WS 35x26



Type	A mm	B mm	C mm	D mm	E mm	Density kg/m <sup>3</sup>	Packaging unit	m <sup>3</sup> / Roll	Roll mm	Item Code	pln/100m
35x26 BC	26 +1/-1	12 +1/-1	3	35 +2/-2	12 +1/0	50 +2/-2	350 m/roll	0,70	1200*460	KPPW35263000	
35x26 CBC*	26 +1/-1	12 +1/-1	3	35 +2/-2	12 +1/0	50 +2/-2	350 m/roll	0,70	1200*460	KPPW35263001	

\* CBC= wzmocnienie wewnątrz

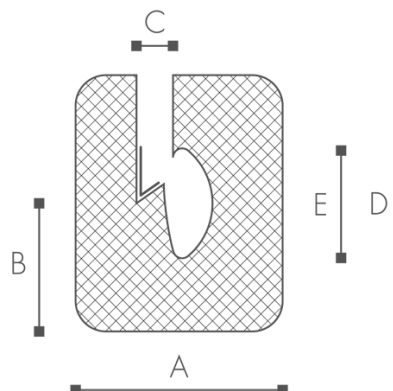
## NOMAPACK WS 45x26



Type	A mm	B mm	C mm	D mm	Density kg/m <sup>3</sup>	Packaging unit	m <sup>3</sup> / Roll	Roll mm	Item Code	pln/100m
45x26 CBC*	26 <sup>+1/-</sup> <sub>1</sub>	10 <sup>+1/-</sup> <sub>1</sub>	3	45 <sup>+2/-</sup> <sub>2</sub>	55 <sup>+2/-</sup> <sub>2</sub>	290 m/roll	0,70	1200*460	KPPW45263008	

\* CBC= wzmocnienie wewnątrz

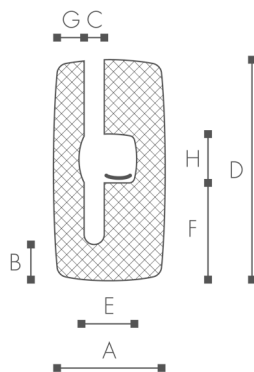
## NOMAPACK WS 40x30



Type	A mm	B mm	C mm	D mm	E mm	Density kg/m <sup>3</sup>	Packaging unit	m <sup>3</sup> / Roll	Roll mm	Item Code	pln/100m
40x30 CBC*	34 <sup>+2/-</sup> <sub>2</sub>	21 <sup>+1/-</sup> <sub>1</sub>	6	42 <sup>+2/-</sup> <sub>2</sub>	18 <sup>+1/-</sup> <sub>1</sub>	55 <sup>+2/-</sup> <sub>2</sub>	270 m/roll	0,70	1200*460	KPPW40303001	

\* CBC= wzmocnienie wewnątrz

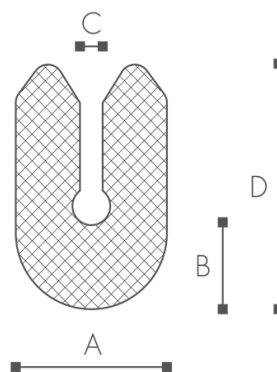
## NOMAPACK WS 60x30



Type	A mm	B mm	C mm	D mm	E mm	F mm	G mm	H mm	Density kg/m <sup>3</sup>	Packaging unit	m <sup>3</sup> / Roll	Roll mm	Item Code	pln/100m
60x30 CBC*	31 ± 2	10 ± 1	± 5,5	61 ± 3	16 ± 1	27 ± 2	8,5 ± 1	13,5 ± 1	45 +2/-2	200 m/roll	0,70	1200*460	KPPW60303000	

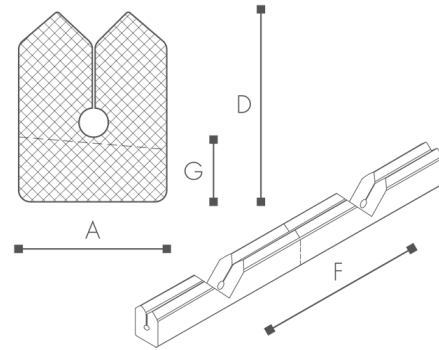
\* CBC= wzmocnienie wewnątrz

## NOMAPACK WS 32x20



Type	A mm	B mm	C mm	D mm	Density kg/m <sup>3</sup>	Packaging unit	m <sup>3</sup> / Roll	Roll mm	Item Code	pln/100m
32x20	20 +/-2	11 +1/-1	3 +1/-1	32 +2/-2	45 +3/-3	590 m/roll	0,70	1200*460	KPPW32200800	

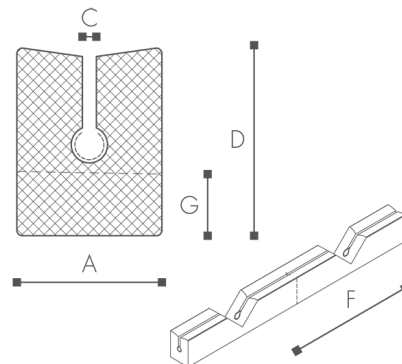
## NOMAPACK WS 33x26 EDGE PAD YC



Type	A mm	D mm	F mm	G mm	Density kg/m <sup>3</sup>	Packaging unit	m <sup>3</sup> / Roll	Roll mm	Item Code	pln/100m
33x26 Edge-Pad* YC	25 +1/-1	33 +1/-1	160 +7/-7	11 +1/-1	55 +2/-2	460 m/roll	0,70	1200*460	KPPW33260001	

\* Edge-Pad = nacięcia V co 160mm

## NOMAPACK WS 33x26 EDGE PAD CYC



Type	A mm	C mm	D mm	F mm	G mm	Density kg/m <sup>3</sup>	Packaging unit	m <sup>3</sup> / Roll	Roll mm	Item Code	pln/100m
33x26 Edge Pad* CYC**	26 +1/-1	3	33 +1/-1	160 +7/-7	11 +1/-1	63 +2/-2	460 m/roll	0,70	1200*460	KPPW33260013	

\* Edge -Pad= nacięcia V co 160mm

\*\* CYC= wzmocnienie wewnątrz